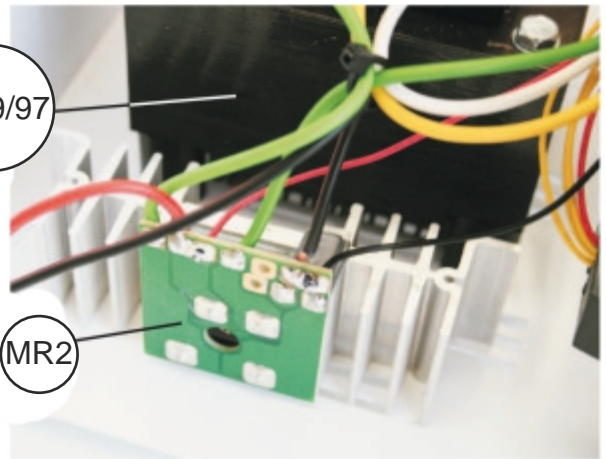
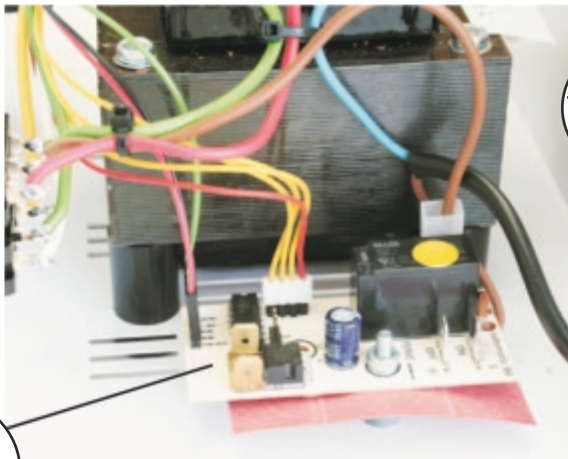
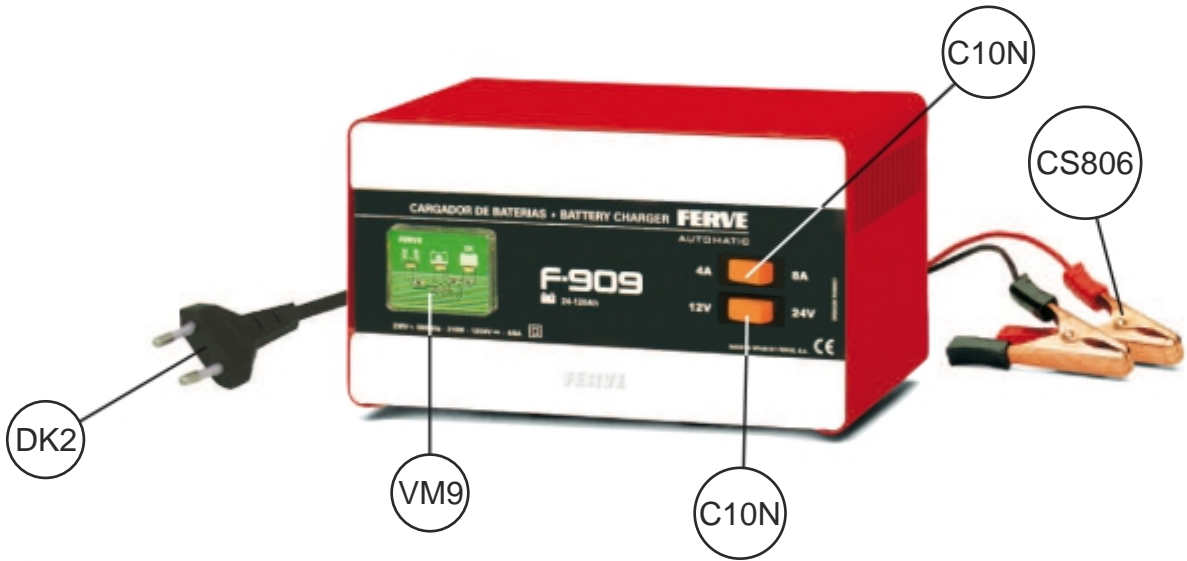
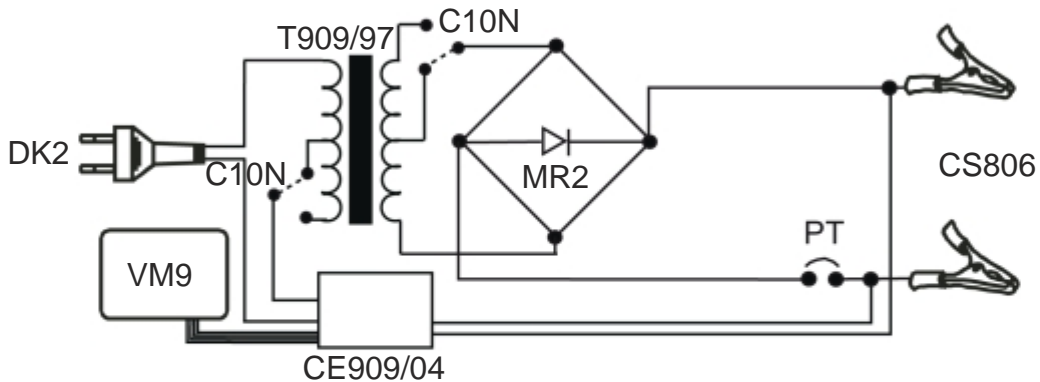


F-909



CE909/04



| | | |
|--------------------------------|---|-----------------------------|
| Voltímetro <i>Voltmeter</i> | Circuito electrónico <i>Electronic circuit</i> | Selector <i>Selector</i> |
| VM9 | CE909/04 | C10N |

| | | | |
|--|--|----------------------------------|-------------------------------------|
| Cable de entrada <i>Input cable</i> | Cable de salida <i>Output cable</i> | Rectificador <i>Rectifier</i> | Transformador <i>Transformer</i> |
| DK2 | CS806 | MR2 | T909/97 |