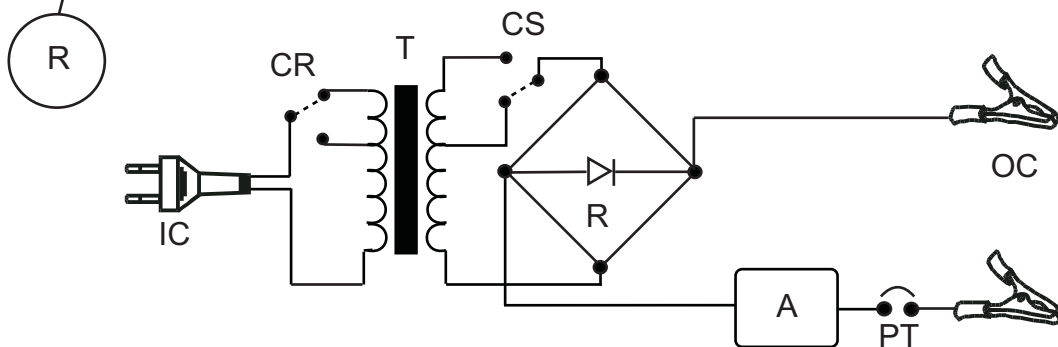
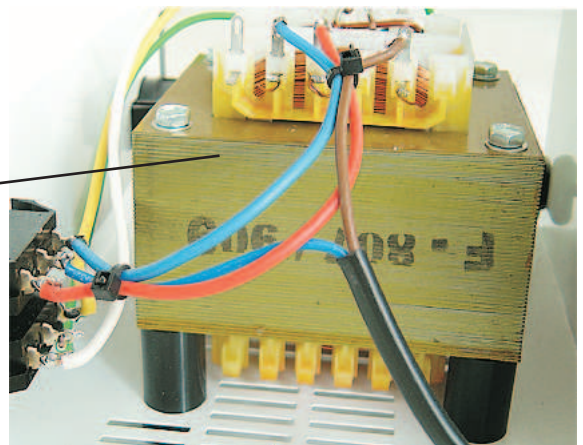
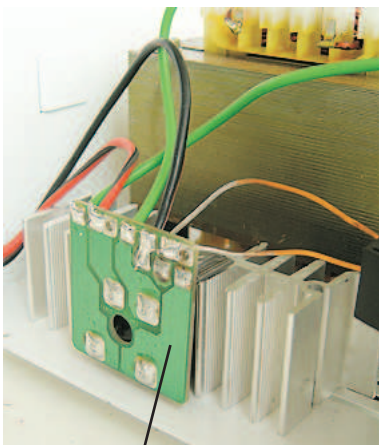
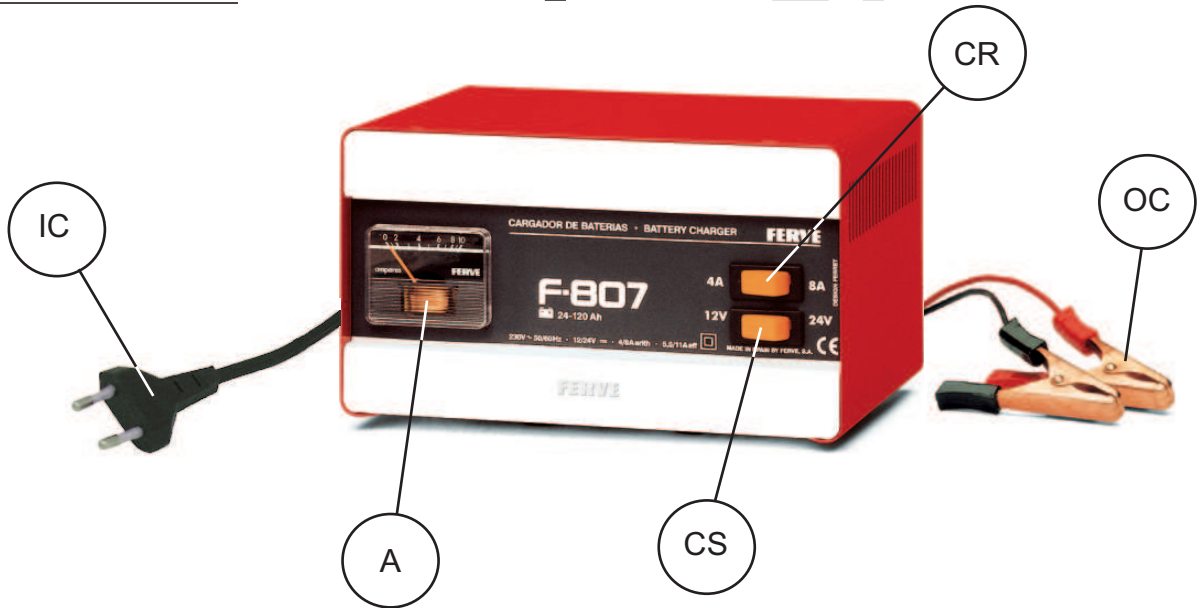


F-807



| | A | CR | CS | IC | OC |
|------------------------------------|-----|------|------|-----|-------|
| Codigos de recambio Spare codes | A18 | C10N | C10N | DK2 | CS806 |

| | R | T |
|------------------------------------|-----|---------|
| Codigos de recambio Spare codes | MR2 | T909/97 |